

Exams4sures

Pass Your Next Certification Exam Fast!

Everything you need to prepare, learn & pass your certification exam easily.

365 days free updates. First attempt guaranteed success.



Select a vendor...

Select an test...

Your email address

Free Download Demo

Security & Privacy



Exams4sures respect customer privacy. We use McAfee's security service to provide you with utmost security for your personal information & peace of mind.



Instant Download

After Payment, our system will send you the products you purchase in mailbox in a minute after payment. If not received within 2 hours, please contact Exams4sures.

365 Days Free Updates



Free update is available within 365 days after your purchase. After 365 days, you will get 50% discounts for updating.



Try Before Buy

Exams4sures offers free demo of each product. You can check out the interface, question quality and usability of our practice exams before you decide to buy.



48923+
Happy Clients



48923+
Shares



97846+
Downloads



9999+
Years in Business

<http://www.exams4sures.com/>

Everything you need to prepare, learn & pass your certification exam easily.

Exam : 050-686

Title : Foundations of novell
Networking:netware 6.5

Vendors : Novell

Version : DEMO

1. Which describes the role of the Novell Distributed Print Services (NDPS) printer agent?
- A. It downloads the correct print driver to the workstation.
 - B. It responds to queries from clients about the status of a print job.
 - C. It provides a platform for printer objects that reside on the server.
 - D. It allows NDPS clients to sent print jobs to printers that are not NDPS-aware.
 - E. It redirects print jobs to directory on the server while waiting for the printer to become available.
 - F. It takes application-specific data from the application creating the print job and reformats it to work with the printer it is being sent to.

Answer: B

2. You're implementing a NetWare 6.5 network for a small business client: Jessica's Bakery. There is only one server in the network. You've named the server BAKERY1 and installed it into an eDirectory tree named JESSICASBAKERY-TREE. You've used a random password generator to create a password for the tree's Admin user. To ease administration, you've located the server next to the Point of Sale system in the customer area of the bakery. You deployed Universal Password on the server. All workstations have Novell Client 4.9 installed on them. You created a NFAP share on the server for the SHARED and the FINANCE directories on the server's DATA volume. Does this configuration meet Novell's security recommendations?

- A. Yes, all Novell security guidelines have been met.
- B. No, the server should be placed in a locked closet or room.
- C. No, you shouldn't use Universal Password with Novell Client version 4.9.
- D. No, you shouldn't use the business name in the server or eDirectory tree names.
- E. No, you shouldn't create NFAP shares for directories containing financial information.
- F. No, you shouldn't use a random password generator for the Admin password. It's easy to hack.

Answer: B

3. Which web-based services does Virtual Office provide? (Choose 3.)

- A. Chat
- B. Calendar
- C. Bookmarks
- D. Spreadsheet
- E. Word processor
- F. Project management charts

Answer: ABC

4. You've just finished configuring an iPrint system on your NetWare 6.5 server. The server's DNS name is iprint.widget.com. The Manager object is named IPP-Printer in the SLC.WIDGET container. The Broker

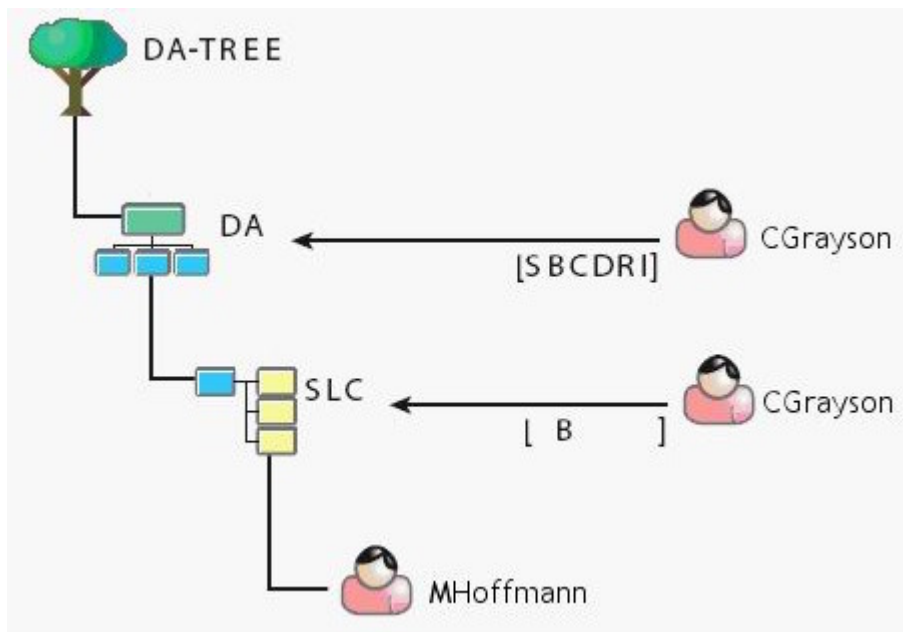
object is named IPP-Broker and is also in SLC.WIDGET. You've used the Maptool.htm file to configure a map named slcoffice.htm for location-based printing. What URL should you enter in your browser's Address field to test the iPrint map?

- A. <http://iprint.widget.com/slcoffice.htm>
- B. <http://iprint.widget.com/lpp/slcoffice.htm>
- C. <http://iprint.widget.com/lppdocs/Maptool.htm>
- D. <http://iprint.widget.com/iPrint/slcoffice.htm>
- E. <http://iprint.widget.com/lppdocs/slcoffice.htm>
- F. <http://iprint.widget.com/lpp/slcoffice.htm> -b=IPP-Broker.SLC.WIDGET
- G. <http://iprint.widget.com/lppdocs/slcoffice.htm> -m=IPP-Printer.SLC.WIDGET

Answer: E

5. Click the Exhibit button to begin.

Given the explicit right assignments shown, what rights does CGrayson have to the MHoffmann user object?



- A. Supervisor
- B. Browse
- C. Browse, Create
- D. Browse, Create, Delete
- E. Browse, Create, Delete, Rename, Inheritable
- F. Supervisor, Browse, Create, Delete, Rename
- G. Supervisor, Browse, Create, Delete, Rename, Inheritable
- H. CGrayson has no rights to the MHoffmann user object.

Answer: B

6. Your company specializes in the production of digital video products. Your company has been recently awarded a very large contract that has a very short deadline. Your NetWare 6.5 server currently uses a single 80 GB IDE hard disk drive. The new contract will require considerably more hard disk storage. You've purchased and installed a 400 GB RAID5 disk array designed specifically for non-linear video editing. The array came with a diskette containing NetWare drivers. Which file on your server should you edit to load these drivers?

- A. RAID.NCF
- B. SERVER.EXE
- C. CONFIG.SYS
- D. STARTUP.NCF
- E. STARTUP.CFG
- F. STORAGE.NCF
- G. AUTOEXEC.BAT
- H. RAID5 array drivers can only be loaded manually from the server console.

Answer: D

7. Which utilities can you use to manage directory and file attributes on a NetWare 6.5 server? (Choose 2.)

- A. ICE
- B. FLAG
- C. iManager
- D. iMonitor
- E. NDS Manager
- F. Remote Manager

Answer: BF

8. Your company's business procedures require the use of triplicate forms. To accommodate this, you have secured an older dot-matrix printer to deploy in your network. It doesn't have a network interface. It will be connected directly to one of your server's LPT ports using an IEEE 1284 parallel cable. You use Novell Distributed Print Services (NDPS) to provide print services to your users. This printer doesn't have an embedded printer agent. Can you use it with NDPS?

- A. Yes, all prerequisite requirements have been met.
- B. No, the NDPS manager doesn't support older dot-matrix printers.
- C. No, the NDPS broker is incompatible with the IEEE 1284 standard.
- D. No, NDPS doesn't support printers that don't have an embedded printer agent.

E. No, a printer agent can't be created for printers that connect to the server with a parallel cable.

Answer: A

9. Which utility can be used to create NSS volumes in NetWare 6.5? (Choose 2.)

- A. NSSMU
- B. iMonitor
- C. NWCONFIG
- D. ConsoleOne
- E. NDS Manager
- F. NetWare Administrator

Answer: AD

10. You're designing the eDirectory tree for your company. Your company is composed of four distinct subsidiary organizations. You decide to create four Organization objects at the root of your tree to represent each. Each subsidiary has its own Vice President who is in charge of the organization. You decide to create a user object for each Vice President in their respective Organization object. Will this design work?

- A. Yes, all eDirectory rules have been observed.
- B. No, user objects can't reside in an Organization object.
- C. No, Organization objects can only reside within Country objects.
- D. No, there can only be one Organization object within a given tree.
- E. No, Organization objects should not be used to represent subsidiaries. Organizational Unit objects should be used instead.

Answer: A

11. Which of the following are system files used by DR-DOS? (Choose 3.)

- A. NTLDR
- B. IO.SYS
- C. MSDOS.SYS
- D. IBMBIO.COM
- E. IBMDOS.COM
- F. COMMAND.COM
- G. NTDETECT.COM
- H. PAGEFILE.SYS

Answer: DEF

12. Which file system attribute indicates that the file has been modified at some point since the last backup operation?

- A. A
- B. H
- C. P
- D. Ci
- E. Dc
- F. Di
- G. Dm
- H. Ds
- I. Ic
- J. Ro
- K. Sh

Answer: A

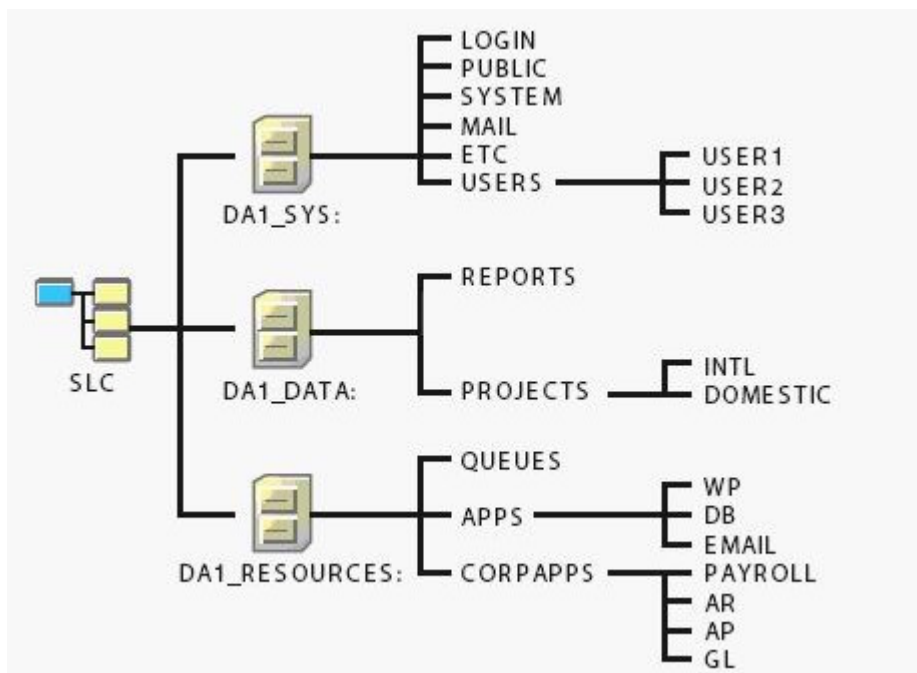
13. Which tasks can be performed with ConsoleOne? (Choose 2.)

- A. Manage licensing.
- B. Assign rights to objects.
- C. Browse very large trees.
- D. Configure NDPS Brokers.
- E. Change the server's IP address.

Answer: BC

14. Click the Exhibit button to begin.

What element of this file system design violates Novell's recommendations?



- A. The MAIL directory should reside on a volume other than SYS.
- B. The QUEUES directory should be placed on a volume other than DATA.
- C. The USERS directory and subsequent subdirectories should not reside on SYS.
- D. The SYS, DATA, and RESOURCES volume objects should not be placed in the same container.
- E. The REPORTS, PROJECTS, QUEUES, APPS, and CORPAPPS directories shouldn't be split between DATA and RESOURCES.

Answer: C

15. You've been asked by management to implement Novell's iFolder product throughout the company. You've installed a new NetWare 6.5 server, named DA28, in the tree to provide iFolder services. The IP address of DA28 is 192.168.1.28. During the server install, you selected the iFolder patterned deployment. You now need to configure iFolder on the server. What URL can you use to access the iFolder Management Console?

- A. <http://192.168.1.28/vo/Admin>
- B. <http://192.168.1.28:8008/Admin>
- C. <http://192.168.1.28/iFolderAdmin>
- D. <http://192.168.1.28/iFolder/Admin>
- E. <http://192.168.1.28:443/iFolder/Admin>
- F. <http://192.168.1.28/iFolderServer/Admin>
- G. <http://192.168.1.28:631/iFolderServer/Admin>
- H. <http://192.168.1.28/nps/iManager/iFolderAdmin>

Answer: F

16. Which products does Virtual Office provide web-based access to? (Choose 3.)

- A. eGuide
- B. iFolder
- C. NetStorage
- D. WAN Manager
- E. Remote Manager
- F. Web Search Server



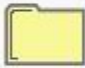


Answer: ABC

17. Click the Exhibit button to begin.

The user object RTracy is a member of the FlightOps group. This group has been assigned Read, Write, Create, Erase, and File Scan file system rights to the SHARED folder. FLIGHTOPS is a subdirectory of SHARED that contains confidential data. An IRF has been placed on this directory that blocks the Write, Create, Erase, Modify, and Access Control rights. However, user RTracy needs limited access to these

files. His object has an explicit rights assignment to FLIGHTOPS for the Write, Modify, and Access Control rights.

What are RTracy's effective rights to the contents of the FLIGHTOPS directory?

	Group Rights Granted		[R W C E F]
SHARED		FlightOps	
	IRF		[S R ↓ ↓ ↓ ↓ F ↓ ↓]
FLIGHTOPS		FlightOps	
	User Rights Granted		[W M A]
		RTracy	

- A. Supervisor
- B. Read, File Scan
- C. Read, Write, Modify, Access Control
- D. Read, Write, Create, Erase, File Scan
- E. Read, Write, Modify, File Scan, Access Control
- F. This object has no rights to the directory or its contents.

Answer: E

18. Which NetWare loadable module provides the iPrint service on a NetWare 6.5 server?

- A. IPP.NLM
- B. IPRINT.NLM
- C. NPRINT.NLM
- D. IPPSRVR.NLM
- E. PSERVER.NLM
- F. IPRINTSRVR.NLM

Answer: D

19. Which NSS volume attribute maintains an inventory of all files on the volume that have had their contents changed at some point since the last backup operation?

- A. Backup
- B. Salvage
- C. Migration
- D. Compression
- E. Directory Quotas
- F. Modified File List

G. User Space Restrictions

H. Flush Files Immediately on Close

Answer: F

20. You're planning the network file system for a NetWare 6.5 server you are going to install. Your server has a mirrored 40 GB SCSI-3 hard disk drive array. On the array, you've decided to create one NSS volume named SYS. In addition to the default operating system directories created when NetWare is installed, you want to create a directory named USERS off the volume root where each user will have his or her home directory. You also want to create a directory named SPOOL off the volume root where print jobs waiting to be printed on the network printer will reside. Finally, you want to create a directory named APPS off the volume root where network-distributed applications will reside. Does this design meet with Novell guidelines?

A. Yes, all Novell guidelines have been met.

B. No, NSS doesn't support mirrored drive arrays

C. No, NSS doesn't support SCSI-3 hard disk drives.

D. No, the user's home directory should be named HOME.

E. No, only the NetWare operating system should reside on volume SYS.

F. No, volume SYS should be a traditional volume on a NetWare 6.5 server.

G. No, the users' home directories should be placed immediately beneath SYS:\PUBLIC.

Answer: E